

Three-in-One

PRESSURE SENSOR

Transmitter, Switch & Display

DS200
Series



- Pressure Ranges 10mbar to 600bar
- Gauge or Absolute Versions
- Sealed to IP65 (Plug & Socket) or IP67 (M12 x 1 Threaded Connector)
- 4-digit LED rotating display
- 1 or 2 freely configurable switch-points
- 4-20mA or 0-10VDC outputs
- Excellent Performance/Price Ratio

Options Available

Interim Pressure Ranges (Consult Factory)

Intrinsically Safe version: II (1) 2 G EEx ia IIC T4 (Zone 0/1)

Various mechanical connections including: G $\frac{1}{4}$, G $\frac{1}{2}$, G $\frac{1}{2}$ flush (> 100mbar & < 40bar only), $\frac{1}{4}$ "NPT & $\frac{1}{2}$ "NPT - all male

5-Pin M12x1 IP67 male connector with mating half & 2m cable or Hirschmann DIN43650 Plug & Socket (IP65)

Improved accuracy (NL&H) - $\pm 0.125\%$ or $\pm 0.175\%/span$ BFSL

DESCRIPTION

The DS200 series of pressure sensors offers an integrated combination of pressure transmitter/transducer, intelligent pressure switch and digital display, along with a variety of pressure connection options, making it ideal for a wide range of applications including pharmaceutical, foodstuffs, pneumatics and hydraulics.

The digital display offers rotation on 2 axes, 240° on the front face and 300° on the transducer housing axis, thus enabling adjustment to its optimum viewing position.

Configuration of the set-point(s) is via two buttons situated on the front of the display. Each point is freely configurable from 0% to 100% of full scale.

All units utilise a Stainless Steel diaphragm, ensuring compatibility with a wide range of process media and excellent long-term stability.

The DS200 series can be supplied calibrated with additional instrumentation such as external displays or data loggers if required, offering a single source solution for your system requirements.

Transducer Specialists...

APPLIED MEASUREMENTS LIMITED

3 MERCURY HOUSE - CALLEVA PARK - ALDERMASTON - BERKSHIRE - RG7 8PN - UK

Tel: (+44) 0118 981 7339 Fax: (+44) 0118 981 9121 email: info@appmeas.co.uk Internet: www.appmeas.co.uk



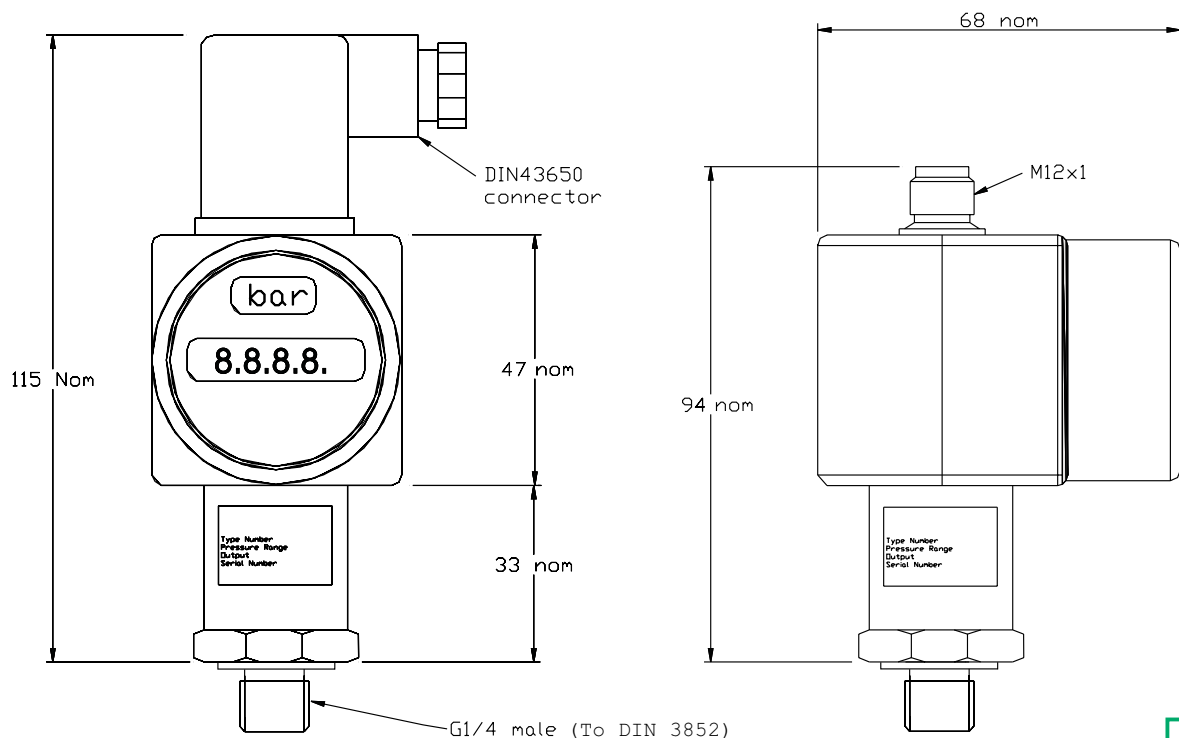
SPECIFICATION

CHARACTERISTICS	DS200 / DS200V	DS210 / DS210V	UNITS
Pressure Ranges:	0.1 to 600 (gauge or absolute)	0.01 to 0.06 (gauge only)	bar
Safe Overpressure:	150	150	%Pressure Range
Supply Voltage:	18-41* / 19-30	18-41* / 19-30	Volts DC
Current Consumption:	<25 / <15	<25 / <15	MA
Load Driving Capacity:	1150 / <1Meg	1150 / <1Meg	Ohms at Max. Supply Voltage
Output Current	Zero Pressure:	4mA / 0Vdc	
	Max. Pressure:	20mA / 10Vdc	
Electrical Connections:	M12 x 1 male 5-pin connector with mating half & 2m cable rated to IP67 as standard DIN43650 (4-20mA only**)	M12 x 1 male 5-pin connector with mating half & 2m cable rated to IP67 as standard DIN43650 (4-20mA only**)	
Accuracy:	<0.25 (0.125 opt. >0.4bar)	<0.25	±%Pressure Range
Temp. Range (media) Operating:	-25 to +125	-25 to +125	°C
	Compensated:	0 to +70	°C
Temperature Effect On Output:	<1	<1	±%Pressure Range over 0-70°C
Storage Temperature Range:	-40 to +85	-40 to +85	°C
Environmental Protection:	IP67 (IP65 with plug & socket)	IP67 (IP65 with plug & socket)	
Weight	200 (not including cable)	200 (not including cable)	Grams
Wetted Parts:	Stainless Steel & Viton	St/St, Viton, RTV, Al ₂ O ₃ , Silicon	
Display:	4-digits, -1999 to +9999	4-digit, -1999 to +9999	
Set Points:	PNP type, max rating 125mA	PNP type, max. Rating 125mA	

*Supply voltage on Ex version is 17-28Vdc

** 1 set-point only available with DIN43650 connector

All dimensions in mm



Note: Intrinsically Safe version are 18mm longer

APPLIED MEASUREMENTS LIMITED

Issue 05/07



Continuous product development may result in minor changes to published specifications.