

5:1 Turndown Ø40mm Field Rangeable Submersible **DEPTH SENSOR**

P991
Series



- **Depth Ranges**
2mWG to 100mWG
- **Sealed to IP68 (100mWG)**
- **Robust Construction**
- **Field Adjustable (5:1 turndown)**
- **Lightning Protection**
- **Excellent Long Term Stability**
- **Temperature Compensated**
- **Outstanding Performance**
- **3 YEAR WARRANTY**

Options Available

Special Ranging Available (consult factory)

Alternative Body Materials for
Chemical and Seawater applications

Extended Temperature Ranges Available

Different Cable Lengths

Higher Accuracy Versions Available

DESCRIPTION

The P991 I submersible 2-wire 4-20mA Depth Sensor offers great flexibility with its two piece body design providing ease of access to the 5:1 turndown facility DIL switches and zero & span potentiometers.

Manufactured from Stainless Steel, these two halves are bolted together using six Allen screws and sealed by means of an 'O' Ring. This, with an IP68 sealed polyurethane cable outlet, completes a high integrity waterproof assembly, which maintains its integrity to 100mWG.

Both sensor and electronics are protected against the effects of lightning strikes, offering distinct advantages over competitive products. The P991 I offers rugged construction, excellent long term stability and performance. To further support our claim of long term reliability we offer the product as standard with a 3 Year Warranty.

Transducer Specialists...

APPLIED MEASUREMENTS LIMITED

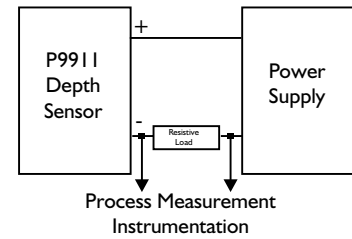
3 MERCURY HOUSE - CALLEVA PARK - ALDERMASTON - BERKSHIRE - RG7 8PN - UK

Tel: (+44) 0118 981 7339 Fax: (+44) 0118 981 9121 email: info@appmeas.co.uk Internet: www.appmeas.co.uk

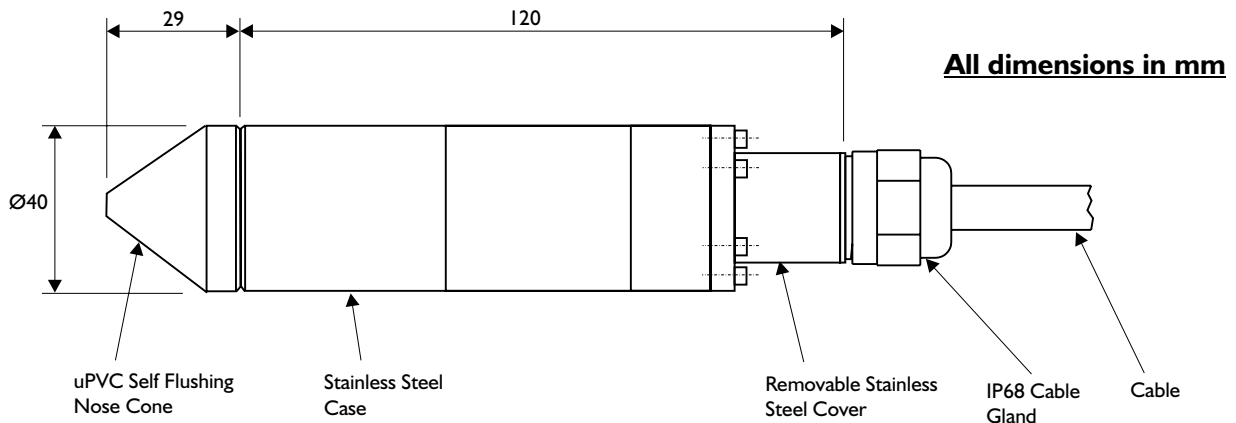


SPECIFICATION

Wiring Schematic Diagram



CHARACTERISTICS	P9911- LV	P9911- HV	UNITS
Pressure Ranges:	2, 5, 10, 20, 50, 100	2, 5, 10, 20, 50, 100	Metres Water Gauge (mWG)
Safe Overpressure:	150	150	%Pressure Range
Burst Pressure:	300	300	%Pressure Range
Supply Voltage:	9 minimum, 32 maximum	20 minimum, 50 maximum	Volts DC
Load Driving Capacity:	1000	1500	Ohms at Max. Supply Voltage
Output Current	Zero Pressure: 4.0	4.0	Milliamps (mA)
	Max. Pressure: 20.0	20.0	Milliamps (mA)
Electrical Connections:	2 core screened polyurethane sheathed cable with vent tube, Strain and Drain Wire	2 core screened polyurethane sheathed cable with vent tube, Strain and Drain Wire	
Accuracy:	<0.25	<0.25	±%Pressure Range
Temperature Range	Operating: -10 to +80	-10 to +80	°C
	Compensated: 0 to +60	0 to +60	°C
Temperature Effect	On Output: <0.008	<0.008	±%Pressure Range/°C
	On Zero: <0.015	<0.015	±%Applied Pressure/°C
Environmental Protection:	IP68 (up to 100mWG)	IP68 (up to 100mWG)	
Weight	600 (not including cable)	600 (not including cable)	grams
Construction:	Stainless Steel	Stainless Steel	



Ordering Information

The product part number is coded to assist with ordering, as follows:

