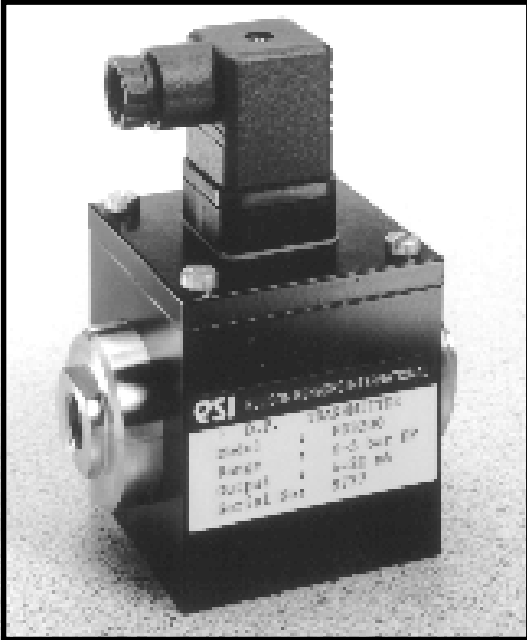


PROTRAN[®] PR3200 DIFFERENTIAL PRESSURE TRANSMITTER



- **ACCURATE AT VERY WIDE DP RANGE**
- **HIGH STABILITY and REPEATABILITY**
- **WET / WET OPERATION**
- **4-20mA TWO-WIRE OUTPUT**
- **ZERO + SPAN ADJUSTMENT ON-SITE**
- **RANGES 250mbarDP to 200barDP**
- **UNI + BI-DIRECTIONAL OPERATION**

DESCRIPTION

The PR3200 Differential Pressure Transmitter uses two matched ceramic pressure diaphragms, offering high stability and performance with true wet/wet operation, suitable for use with all liquids and gasses compatible with stainless steel and alumina. Flush diaphragm models are available with integral or remote pressure diaphragms for hygienic applications.

Applications include flow measurement with pitot tubes, orifice plates and mass flow meters, plus static differential pressure measurement and control in combustion chambers and clean rooms, also condition monitoring and filter monitoring in high pressure hydraulic systems or any application on liquid or gas requiring reliable differential pressure measurement.

Electrical connection is DIN plug and socket, access to zero and span adjustment is made by removing top plate for easy on-site adjustment.

Pressure connection as standard is via two ¼" BSP female connections.

Mounting Plate available for stand-pipe or bulk-head mounting.

Ranges available from 0-250mbarDP to 0-200barDP.

PROTRAN[®] PR3200 DIFFERENTIAL PRESSURE TRANSMITTER

SPECIFICATION

INPUT

Pressure ranges.....0-250 mbarDP
to 0-200 barDP
Pressure reference.....Differential
Operation mode.....Uni or Bi-directional
Static pressure max.....4 x range (max)
Common mode pressure.....4 x range (max)

OUTPUT

Span.....4-20 mA
Type.....2 wire

ACCURACY

Zero offset.....<±1% FSO
Span tolerance.....<±1% FSO
Combined non-linearity / hysteresis<±0.3% FSO
Repeatability.....<±0.1% FSO
Long term stability.....<±0.2% FSO / 6 months
Common mode pressure error<±2% / 4 x DP range

ELECTRICAL

Supply voltage.....13-36Vdc
Supply voltage effects.....3µA/V

Reverse polarity..... Protected
Load driving capability..... 1150Ω @ 36Vdc
Output short circuit (to ground) No damage
Insulation resistance..... 100MΩ @ 100Vdc elec conn to case
Response time (63%)..... 1.5mS
Adjustment..... ±10%FSO Zero and Span

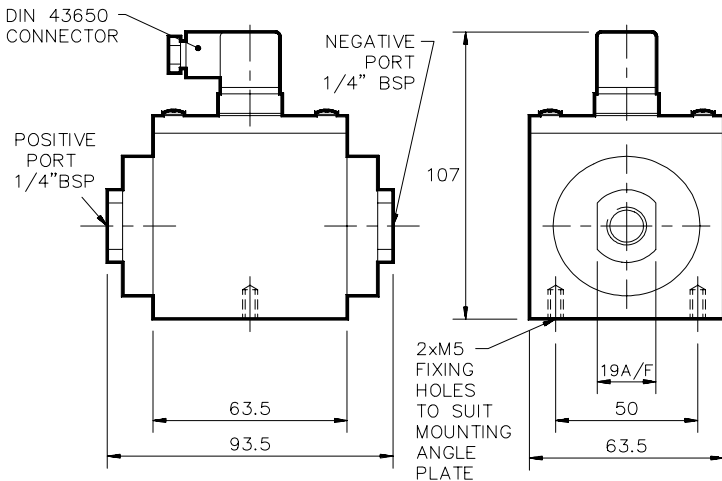
ENVIRONMENTAL

Pressure media..... Compatible with alumina +304 S.S
Operating temperature range.. -20 to +85 °C
Storage temperature range..... -40 to +90°C
Thermal effect Zero..... <±0.03% FSO/°C
Thermal sensitivity.....<±0.03% FSO/°C
Vibration tolerance..... 10g's to 50Hz
Mechanical shock tolerance.... 15g@s (11mS)
Operating humidity..... 95% RH

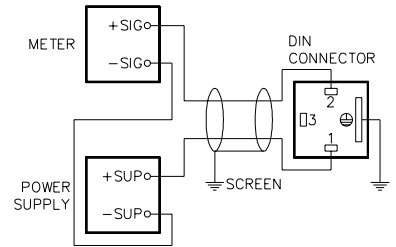
PHYSICAL

Pressure connections..... ¼" BSP female x 2
Electrical connection..... DIN plug + socket to DIN43650
Mounting..... Via mounting plate (optional extra)
Enclosure rating..... IP65
Natural frequency..... 10 KHz (min)
Weight..... 780 grams
Materials..... 300 series stain'stl body/
connector alumina diaphragm

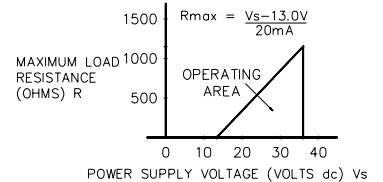
DIMENSIONS / WIRING DETAILS



TRANSMITTER WIRING DIAGRAM



LOAD DRIVING CHART



ORDERING INFORMATION

STATE MODEL NUMBER AND PRESSURE RANGE REQUIRED:-
ie: PR3200 0-10mbarDP

MODEL NO.	DESCRIPTION
PR3200	DP Transmitter 0-250mbar to 0-200 bar
PR3200/MP	Mounting Angle Plate

D.P. PRESSURE RANGES

0 - 250 mbar	0 - 10 bar
0 - 500 mbar	0 - 20 bar
0 - 750 mbar	0 - 40 bar
0 - 1 bar	0 - 100 bar
0 - 2 bar	0 - 200 bar
0 - 4 bar	