

Socket Wrench

TORQUE SENSOR

YDSS
Series



- Torque Ranges 0.1Nm to 300Nm
- 0.3% Accuracy Class
- Suitable for high speed rotary applications up to 5000rpm
- Square drive
- 3 YEAR WARRANTY

Options Available

Customer-specific measuring ranges

Supplied With Any Instrumentation and Calibrated as a Complete System with Traceable Certificate

DESCRIPTION

The YDSS sensors are designed for use in fast accurate measurement of bolt or nut tightening torques. They feature high accuracy and can also be used to check calibrations of mechanical torque wrenches.

The YDS operates in both directions so tightening and break away torque can be measured.

The YDSS series can be further complimented by any of our range of instrumentation to offer a complete system, supplied and calibrated from a single supplier.

Transducer Specialists...

APPLIED MEASUREMENTS LIMITED

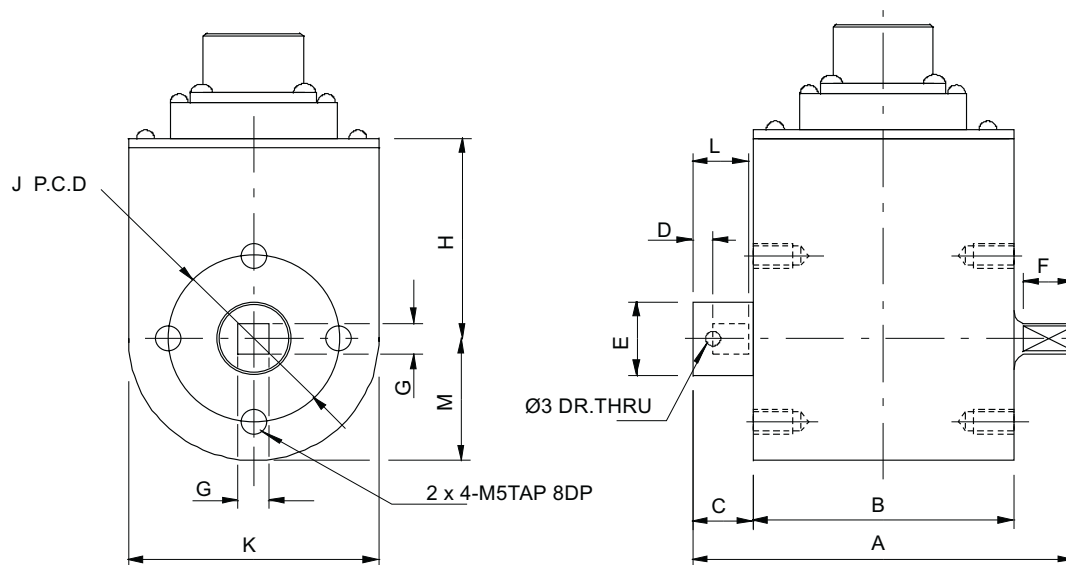
3 MERCURY HOUSE - CALLEVA PARK - ALDERMASTON - BERKSHIRE - RG7 8PN - UK

Tel: (+44) 0118 981 7339 Fax: (+44) 0118 981 9121 email: info@appmeas.co.uk Internet: www.appmeas.co.uk



SPECIFICATION

| CHARACTERISTICS | YDSS | UNITS |
|--|--------------------------|-----------------|
| Torque Ranges: | 0.2 - 300 | Nm |
| Rated Output (FSO): | 1.3 | mV/V |
| Excitation Voltage: | 10 | VDC |
| Safe Overload: | 150 | % FSO |
| Non-Linearity: | 0.3 | ±% FSO |
| Repeatability: | 0.3 | ±% FSO |
| Hysteresis: | 0.3 | ±% FSO |
| Temperature Range Operating: | -20 to -70 | °C |
| Compensated: | -10 to -60 | °C |
| Temperature Effect on Zero: | 0.005 | ±%FSO/°C |
| Temperature Effect on Output: | 0.01 | ±%FSO/°C |
| Terminal Resistance (Input/Output): | 350±3.5 | ohms |
| Insulation Resistance: | 300 | megohms |
| Environmental Protection: | IP50 | |
| Cable | 3m screened Ø4 mm | |



| CAPACITY | SOCKET SIZE | A | B | C | D | ØE | F | G | M | K | L | ØJ | H | RPM |
|------------|-------------|-----|------|------|----|----|------|-------|----|----|----|----|----|-------|
| 0.2-0.10Nm | ¼" | 76 | 52 | 12 | 4 | 15 | 10 | 6.35 | 25 | 50 | 11 | 34 | 41 | 5.000 |
| 2-5Nm | 3/8" | 82 | 56 | 12 | 4 | 15 | 12.5 | 9.53 | 25 | 50 | 13 | 34 | 41 | 5.000 |
| 10-30Nm | ½" | 96 | 58.5 | 19.5 | 7 | 20 | 16 | 12.70 | 31 | 62 | 17 | 44 | 42 | 5.000 |
| 50-100Nm | ¾" | 106 | 58 | 24 | 10 | 30 | 22 | 19.10 | 34 | 68 | 22 | 52 | 53 | 5.000 |
| 200-300Nm | 1" | 123 | 58 | 33 | 14 | 40 | 29.2 | 25.40 | 39 | 78 | 28 | 62 | 54 | 5.000 |

