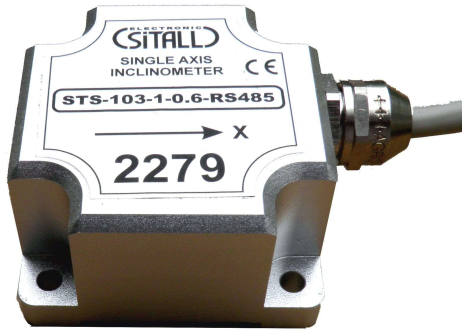


Inclinometer STS-103-1-xx-U(RS485)

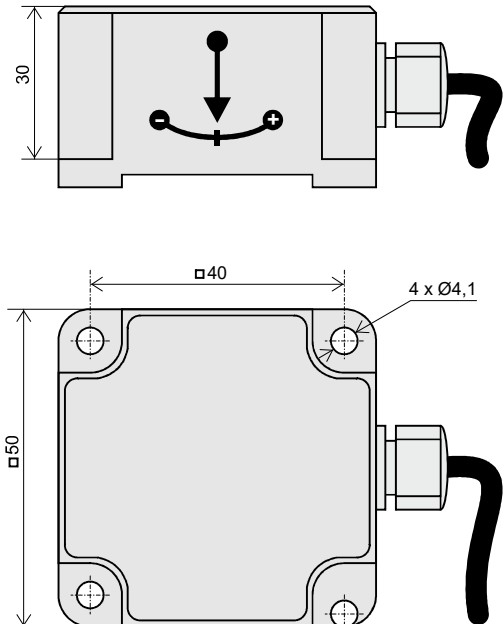


- Platform leveling control, tilt measuring in industrial and laboratory applications
- High sensitivity and resolution
- Digital signal processing and filtering
- Analogue or digital output
- Robust duralumin case
- IP67 covering
-

Specification

Measuring range (F.R.)	± 0.5 to $\pm 30^\circ$ (1° to 60°)
Nonlinearity (from F.R.)	< 0.5%
Sensitivity (from F.R.)	< 0.02%
Resolution (from F.R.)	< 0.02%
Time constant (*)	~ 1 s
Temperature nonstability -20 ... +50°C	< 400 ppm/°C
Cross sensitivity (from F.R.)	max. 1%
Available outputs	0-5V or RS485
Operation temperature range	-20~60°C
Storage temperature range	-40~80°C
Covering	IP67
Power supply	7~30 VDC
Current consumption (with voltage output)	up to 10 mA
Current consumption (with digital output)	up to 40 mA
Weight (without cable)	~ 200 g.

* measured on 20°C



Order information

STS-103-1-**XX**-**X**-**X**

Full range of tilt measuring (F.R.)			
1.0	$\pm 0.5^\circ$	20	$\pm 10^\circ$
2.0	$\pm 1^\circ$	30	$\pm 15^\circ$
4.0	$\pm 2^\circ$	40	$\pm 20^\circ$
10	$\pm 5^\circ$	60	$\pm 30^\circ$

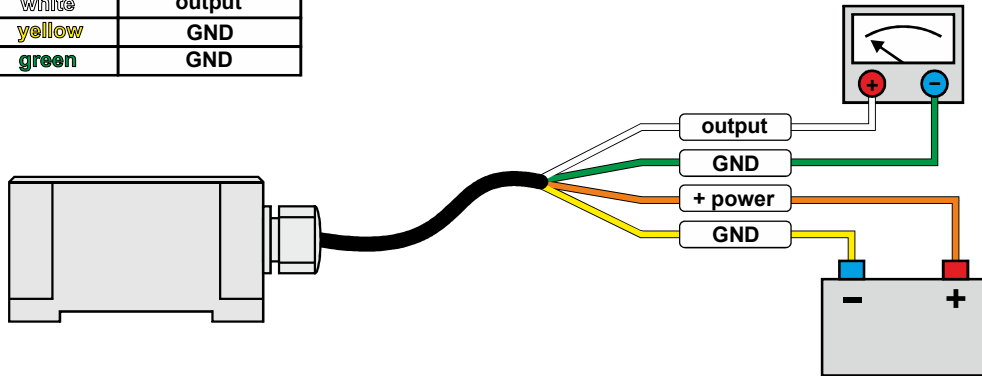
Output range	
U	0~5V
RS485	RS485

Cable connection	
1	Connection with cable gland (option 1)
2	Connection with connector (option 2)

Inclinometer STS-103-1-xx-U(RS485)

Analogue output connecting

Order code: STS-103-1-xx-U	
brown	+ power
white	output
yellow	GND
green	GND



Working position horizontal only!

Output connection with RS485 interface

Order code: STS-103-1-xx-RS485	
brown	+ power
white	+D
yellow	-D
green	GND

